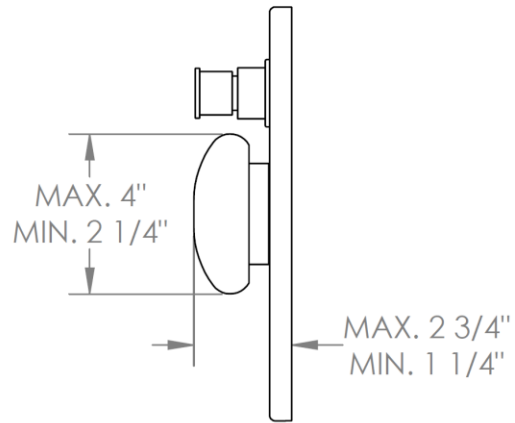
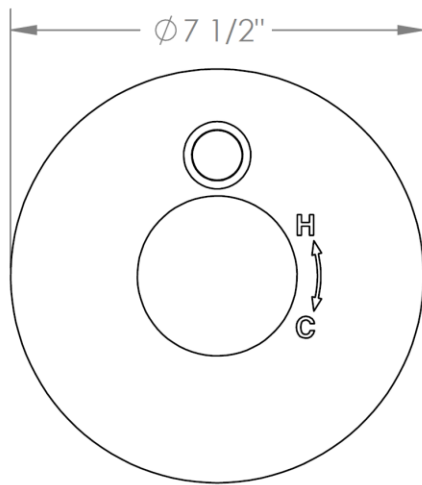


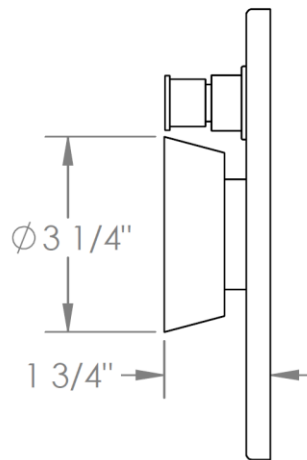
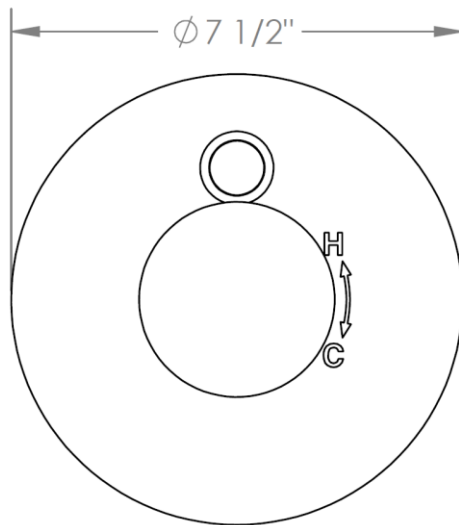
**36-P90-WM**

Trim Kit Only for Pressure Balance Valve with Diverter  
Requires SS-PB85 concealed rough



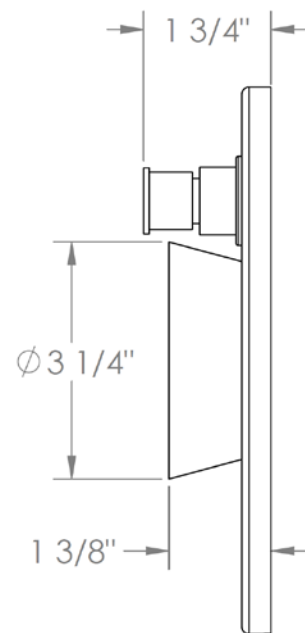
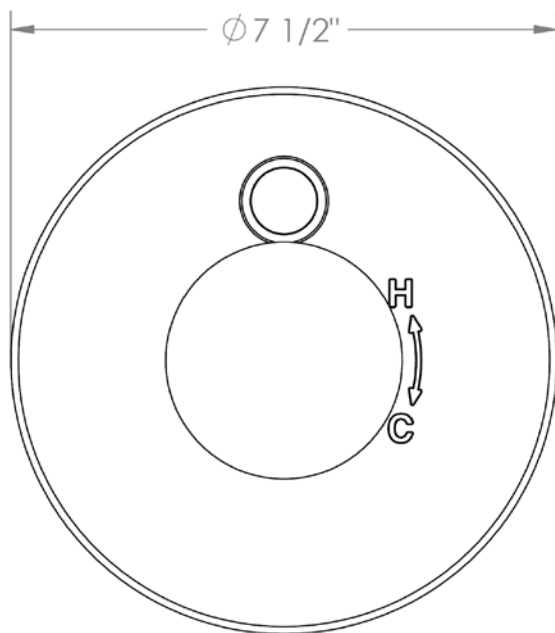
**36-P90-CM**

Trim Kit Only for Pressure Balance Valve with Diverter  
Requires SS-PB85 concealed rough



**36-P90-BL1**

Trim Kit Only for Pressure Balance Valve with Diverter  
For use with SS-PB85 concealed rough



**WATERMARK DESIGNS 7/18/2018**